

# INSTALLATION INSTRUCTIONS

## PLEASE READ THESE INSTRUCTIONS BEFORE INSTALLING YOUR GAS GRILL

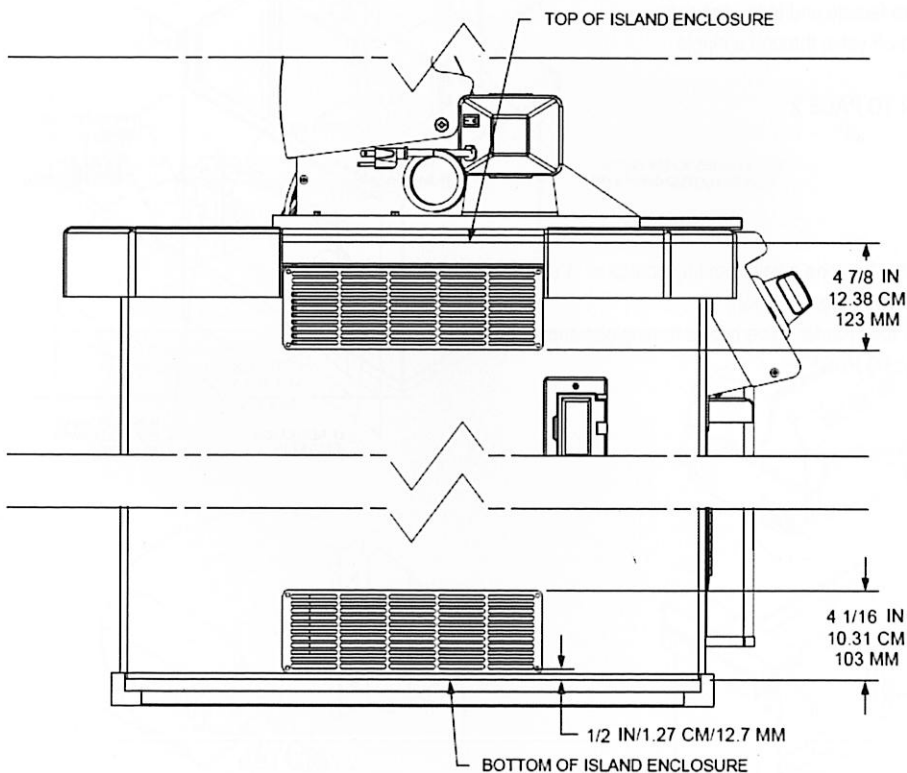
Your Built-in Gas Barbeque comes to you fully assembled. We strongly recommend professional installation and hookup of the Gas BBQ grill. These instructions will provide you with the measurements necessary for you or your builder to construct a masonry structure to house your outdoor gas grill.

**NOTE TO INSTALLER:** Leave these instructions with the consumer for future reference. The grill must be installed in accordance with all local building codes including cylinder compartment ventilation requirements. The gas inlet for LP / NG usage is 5/8 18UNF.

**NOTE:** Please remove the cotter pins from the burners before installing unit into an island. See page 12 for cotter pin removal.

### **SPECIFICATIONS FOR BARBECUE STRUCTURE**

1. For the bricklayer - your choice of masonry can be used for cabinet construction for the built-in gas grill; however it must be **non-combustible** material. Keep in mind when choosing a location for your grill that it should NOT be located under any overhead combustible construction. Upper and lower level vents must be provided for combustion air and cylinder compartment ventilation requirements on both sides of built-in cabinet. Vents on BBQ insert must remain unobstructed to allow for combustion air and ventilation. Ventilation of cylinder compartments for cylinders exceeding 1.25 kg gas capacity. Cylinder compartments shall have permanent openings ventilating directly to the outside of the appliance, and consisting of either – (a) perforations, uniformly distributed over a height of the island enclosure and with a total free area of not less than 25% of the sidewall area: or (b) separate openings at high and low level, such that – (i) the total free area at the high level is not less than 20 000 mm<sup>2</sup> and is within 125 mm of the top of the cylinder compartment: and – (ii) the total free area at low level is not less than 20 000 mm<sup>2</sup>, and (A) at least 25% of the required area is within 15 mm of the base cylinder compartment; (B) the total required area is within 125 mm of the base of the cylinder compartment; and (C) the openings cannot be obstructed by the cylinder(s).



2. The BBQ grill requires a wall opening of the following dimensions: See PAGES 8 & 9 for different models.

3. Place gas grill assembly into wall opening as shown in illustration on pages 8 & 9. BBQ rests on side and back edges of the BBQ insert.

4. For propane gas LP CYLINDER STORAGE AREA MUST BE ISOLATED FROM GRILL AND VENTED as per item 1. requirements.

5. Do not use any combustible materials for this construction. Minimum horizontal clearance to adjacent combustible surface from side and back of the grill must be 21 inches/54 cm/533 mm. A 6 inch/15 cm/152 mm clearance is required behind grill to allow front portion of hood to open and for ventilation purposes.

# INSTALLATION INSTRUCTIONS (CONT.)

## CONNECTING TO GAS SOURCE

Refer to the following instructions and illustrations for typical gas supply connections. We strongly suggest professional installation and hook-up of the Gas BBQ. The NG regulator supplied with the NG barbeque must be used. The LP hose and regulator supplied with the LP barbeque must be used – DO NOT USE ADAPTORS. WARNING, it may be hazardous to use wrong type of hose. The life expectancy of the hose is estimated at 5 years. It is recommended that the hose is changed every five years. The hose for NG connection is 8.0mm Class B max length 1.0metre, approved to AS/NZS 1869 or AS 4631.

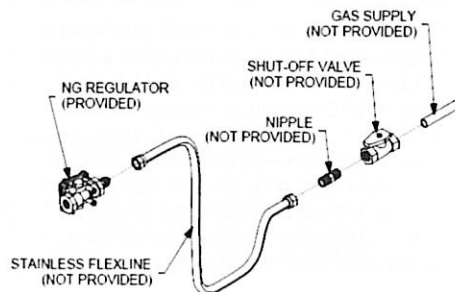
**IMPORTANT:** Before connecting grill to gas source, make sure BBQ Grill control knobs are in "OFF" position.

## NATURAL GAS CONNECTIONS

**IMPORTANT:** Bull Outdoor Products does not recommend the use of any quick connect fittings or lines to the unit. Use of these types of fittings or lines could cause low gas flow and greatly reduce the performance of the unit.

- Pipe sealing compound or pipe thread tape of the type resistant to the action of natural gas must be used on all male pipe thread.
- Apply compound or tape to at least the first three threads when making the connection.
- Remove plastic cap from regulator installed on grill.
- Attach stainless steel flex line 8.0mm flare-female end to the regulator.
- Attached the other end of flex line to shut-off valve through a nipple.
- Attach a shut-off valve to gas supply pipe.

PERFORM GAS LEAK CHECK – REFER TO PAGE 2

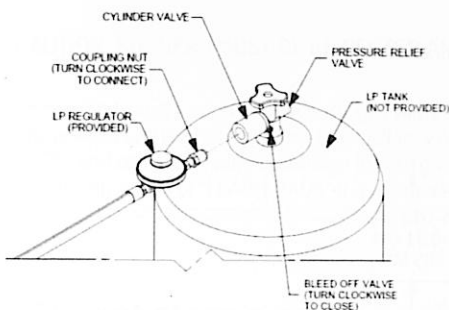
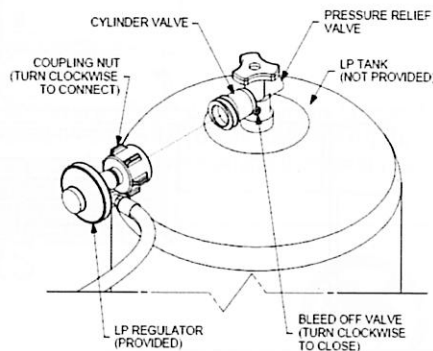


## LP GAS CONNECTIONS

**CAUTION:** Changing the gas cylinders must be done away from any source of ignition.

- Make sure the cylinder is firmly secured in an upright position.
- Make sure it is completely threaded onto the cylinder valve before turning gas supply on.

PERFORM GAS LEAK CHECK – REFER TO PAGE 2



## LP GAS CYLINDER SEPARATION FROM THE GRILL BURNERS

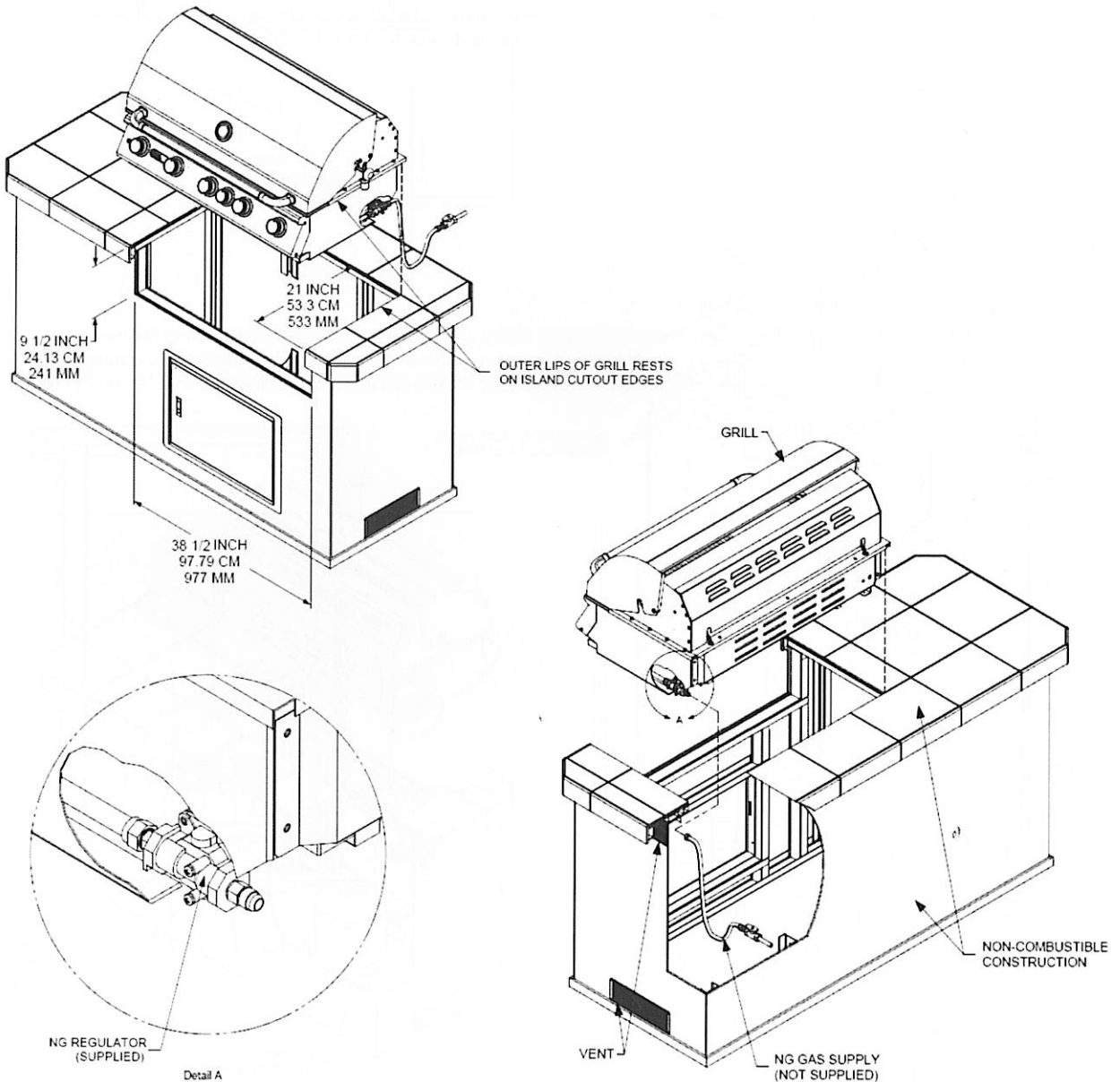
-The gas cylinder compartment (island enclosure) shall be permanently separated from the combustion area (grill burner compartment) to prevent the ignition of escaping gas within the cylinder compartment. This "permanent" separation is the grill tray which is bolted onto the grease tray handle. For removal of the grease tray for cleaning purposes refer to page 23 "cleaning the grease tray". Note ensure after cleaning the grease tray is bolted back into position. Any cylinder, hose or regulator shall be permanently protected from spillover from vessels or cooking residues, fats or other falling particles. The grease tray secured and bolted in position protects the cylinder, hose and regulator from falling debris.

# INSTALLATION INSTRUCTIONS (CONT.)

## OUTDOOR NATURAL GAS BBQ INSTALLATION SPECIFICATIONS

### NOTE:

- Vents must be provided for combustion air and ventilation on both sides of built-in cabinet.
- When choosing a location for your gas grill keep in mind that it should never be located under any overhead combustible construction.
- The sides and back of the grill should not be any closer than 21 inches/54 cm/533 mm to combustible construction. Overall dimensions 1001.0 mm wide x 543.0mm high x 612.0mm deep. The gas inlet connection is  $\varnothing 40.0\text{mm}$  up from the base RH side corner.
- **DO NOT** store empty or full spare cylinders under or near this or any other appliance.
- There must be a minimum of 6 inches/15 cm/152 mm counter space behind the grill in order to allow the grill hood to clear properly.

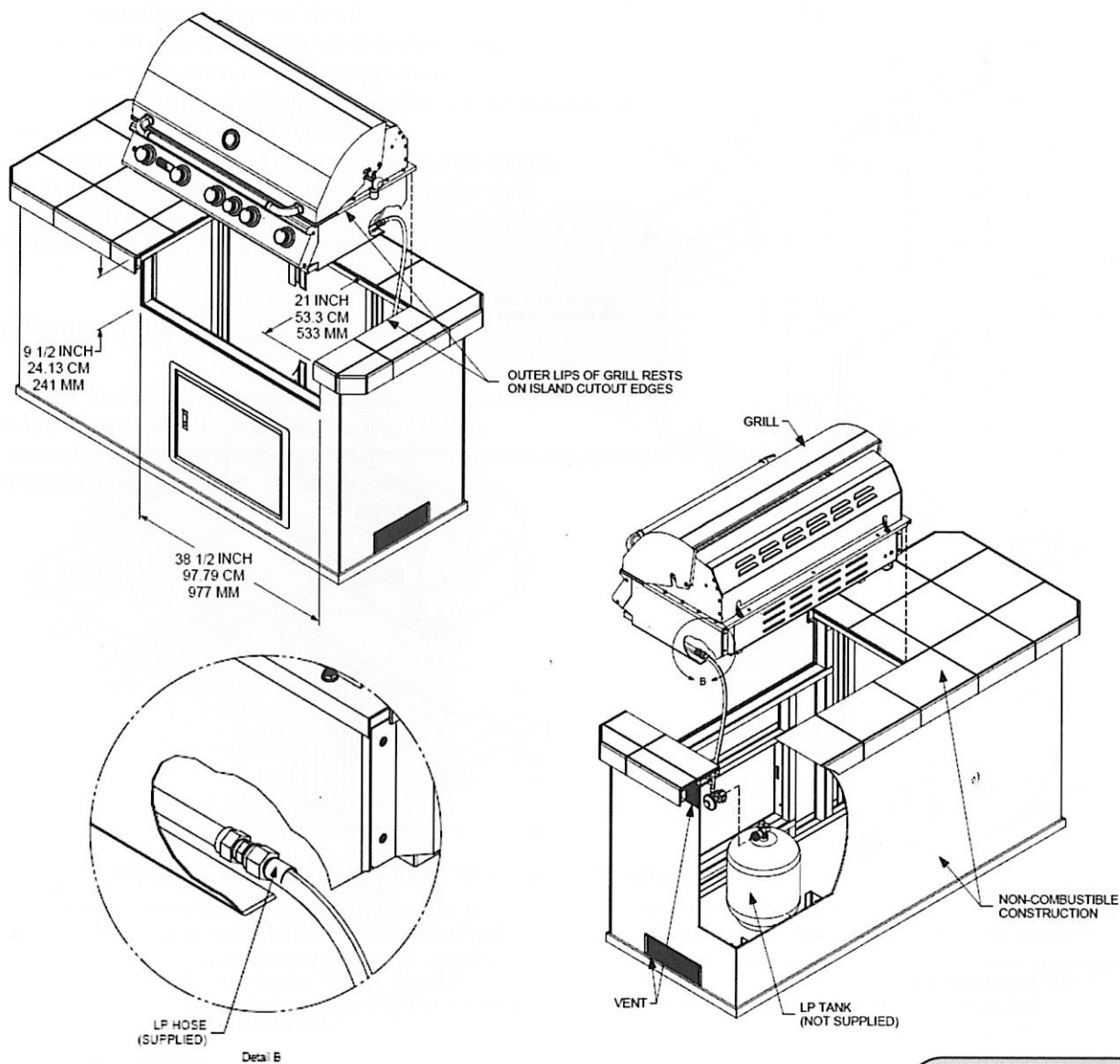


# INSTALLATION INSTRUCTIONS (CONT.)

## OUTDOOR PROPANE GAS BBQ INSTALLATION SPECIFICATIONS

### NOTE:

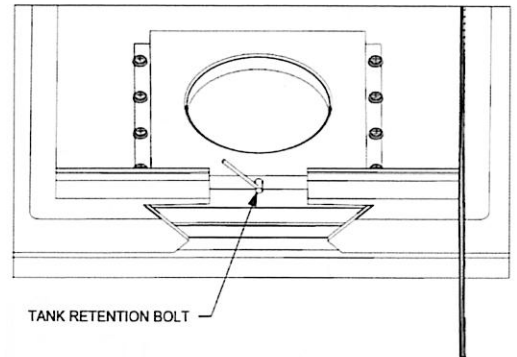
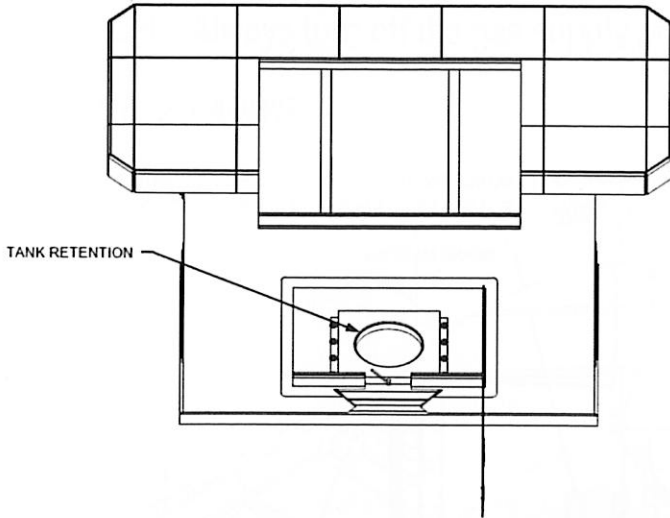
- Vents must be provided for combustion air and ventilation on both sides of built-in cabinet.
- When choosing a location for your gas grill keep in mind that it should never be located under any overhead combustible construction.
- The sides and back of the grill should not be any closer than 21 inches/54 cm/533 mm to combustible construction.
- **DO NOT** store empty or full spare tanks under or near this or any other appliance.
- There must be a minimum of 6 inches/15 cm/152 mm counter space behind the grill in order to allow the grill hood to clear properly.
- The cylinder valve on the tank must be readily accessible for hand operation. The tank must be isolated enough to where it is shielded from radiation, open flames and protected from foreign matter such as hot drippings.
- There must be access so the tank can be connected, disconnected, inspected and leak tested outside of the cabinet. As well access so that connections which could be disturbed when installing the tank in the cabinet can be leak tested inside the cabinet.



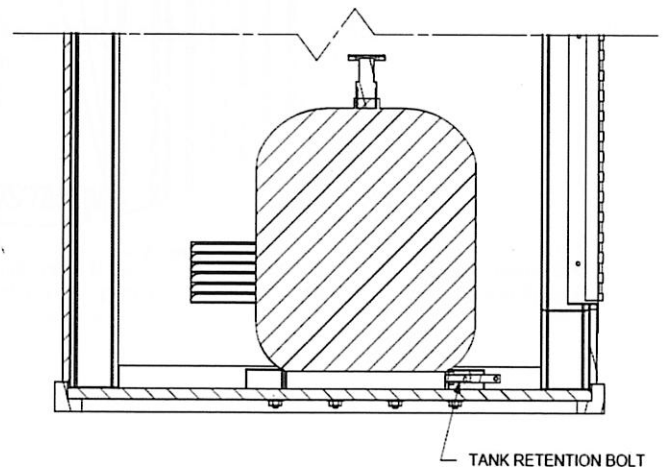
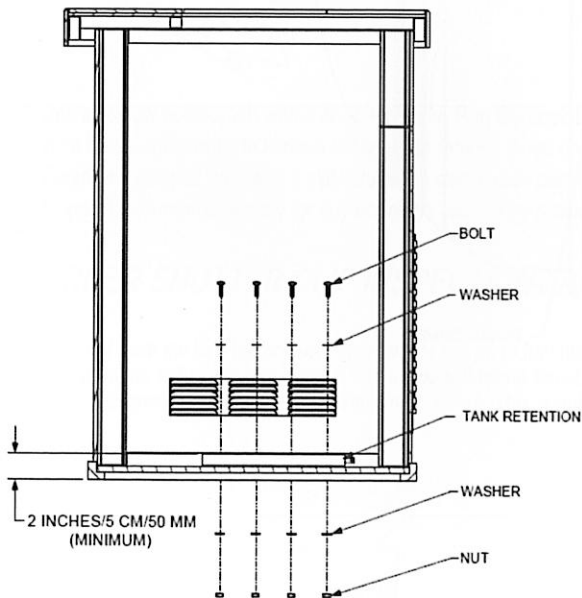
# INSTALLATION INSTRUCTIONS (CONT.)

## LP GAS TANK RETENTION

If using a LP gas cylinder, the cylinder must be properly secured within the structure to prevent being knocked over.



The cylinder retention system must be securely fastened to the bottom of the island with the use of bolts, washers and nuts. There must be a minimum clearance of 2 inches/5 cm/ 50mm between the floor and the cylinder enclosure. Once secured, place the LP cylinder in the cylinder retention system and tighten the cylinder retention bolt until the tank is snug and cannot move.



# INSTALLATION INSTRUCTIONS (CONT.)

## TRANSFORMER

In order to ensure transformer and interior light system longevity, the transformer must be installed at least 6 inches/15 cm/152 mm above the ground. The transformer may be attached to your island material using metal screws. To install your transformer, secure two screws (not provided) through the designed mounting tabs (see illustration below).

