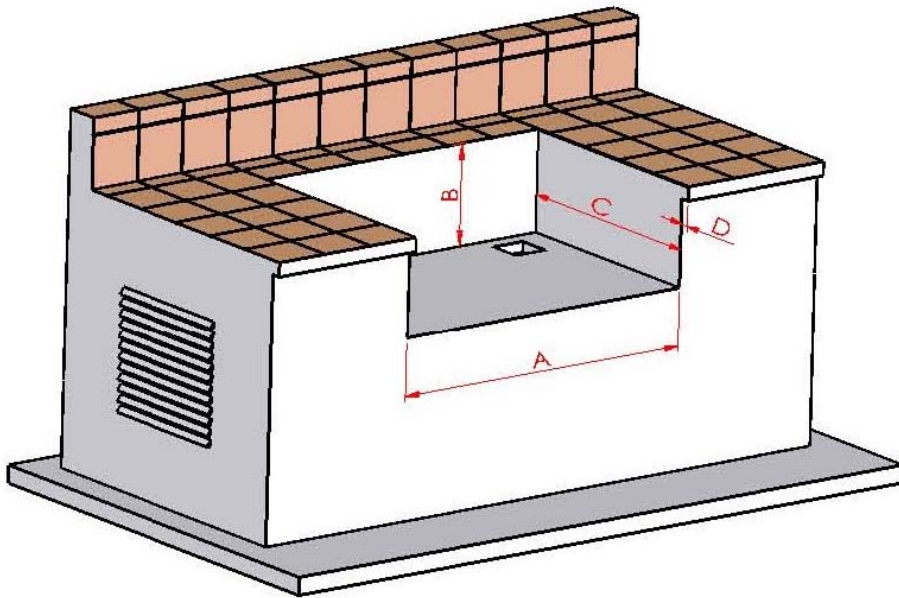
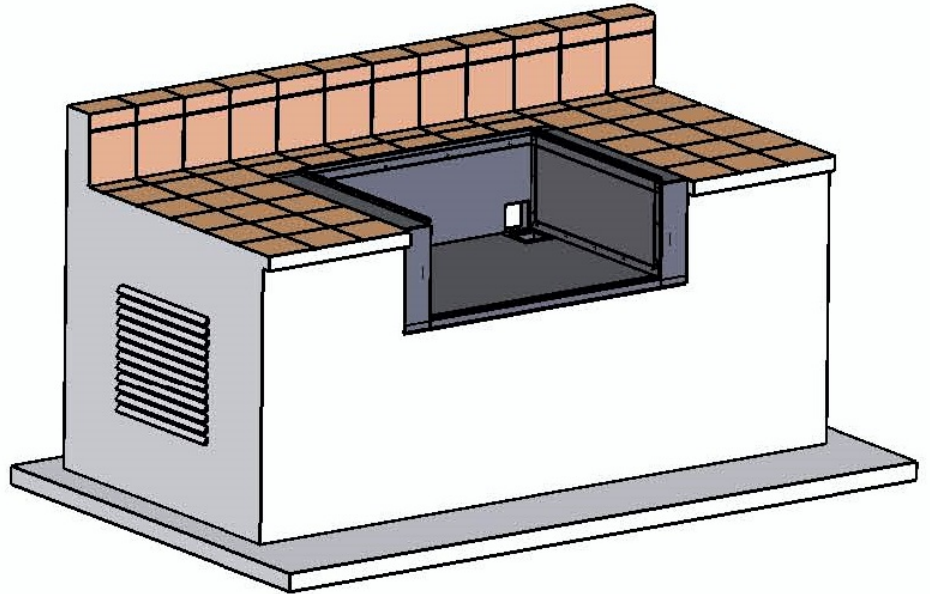




www.grandfirebbqs.com.au



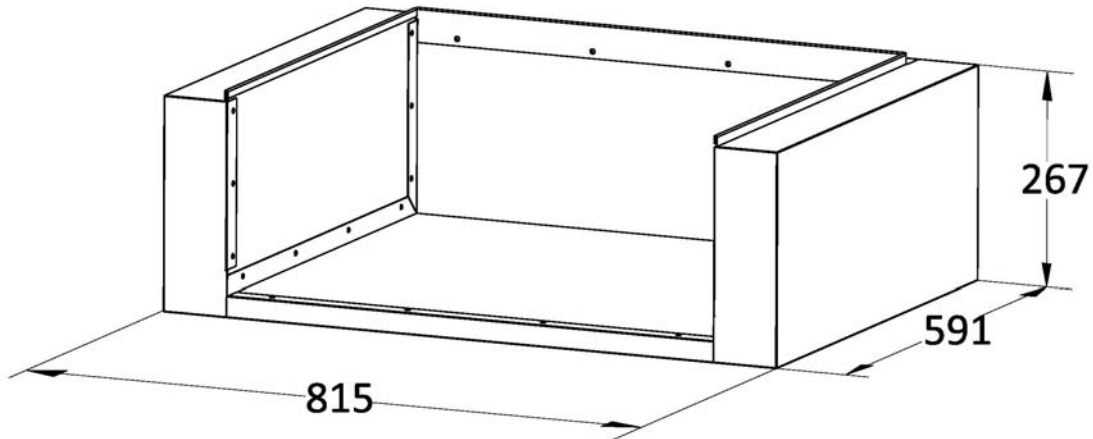
	A (mm)	B (mm)	C (mm)	*D
GF-IJ26	817	267	591	The Zero Clearance box should be flat with the cabinet wall in the front, this 'D' size is decided by the designer.
GF-IJ32	969	267	591	
GF-IJ38	1122	267	591	
GFD-IJ30	919	286	630	
GFD-IJ42	1224	286	630	

MEASURE TWICE, CUT ONCE...



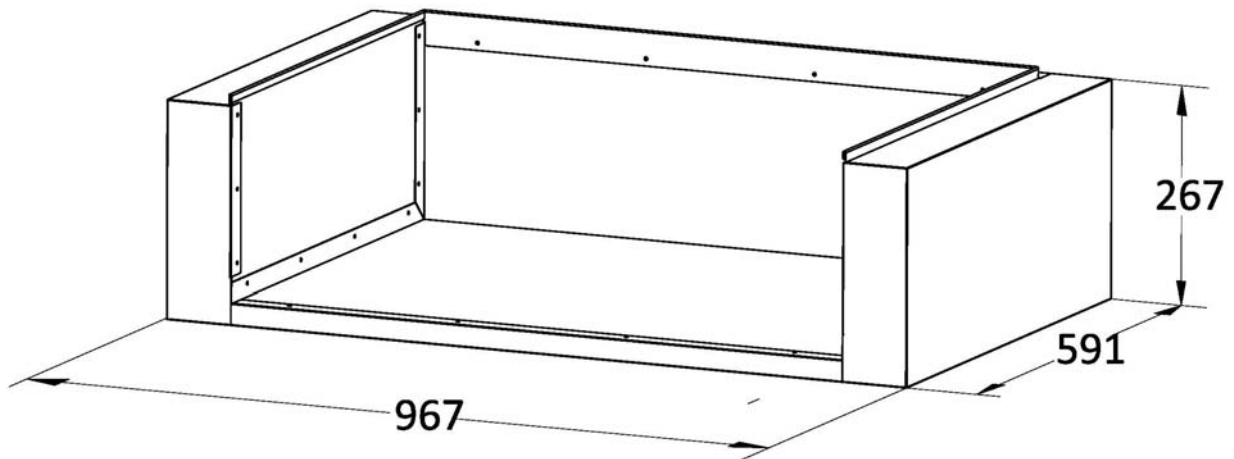
www.grandfirebbqs.com.au

Model: GF-IJ26



Insulation Jacket/Zero Clearance
Box for Classic 26 Grill

Model: GF-IJ32

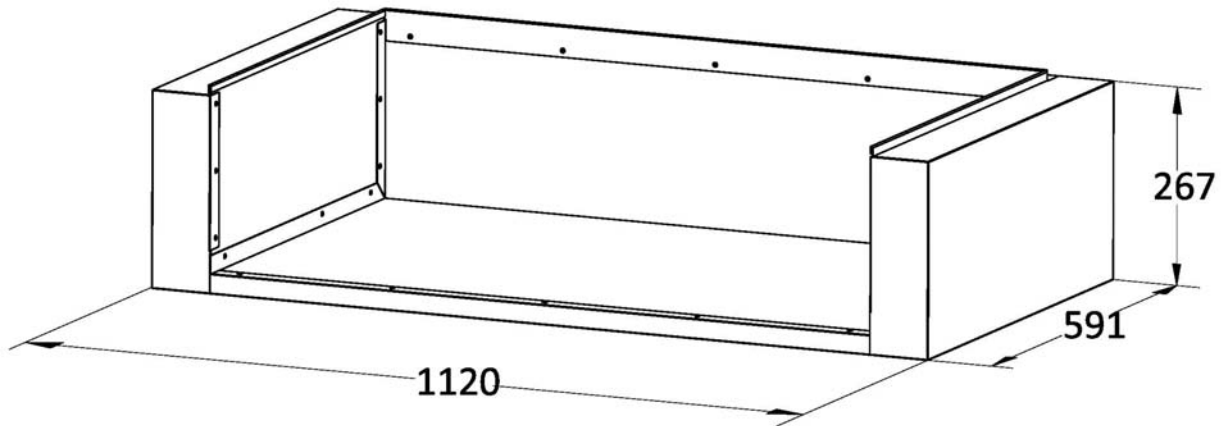


Insulation Jacket/Zero Clearance
Box for Classic 32 Grill



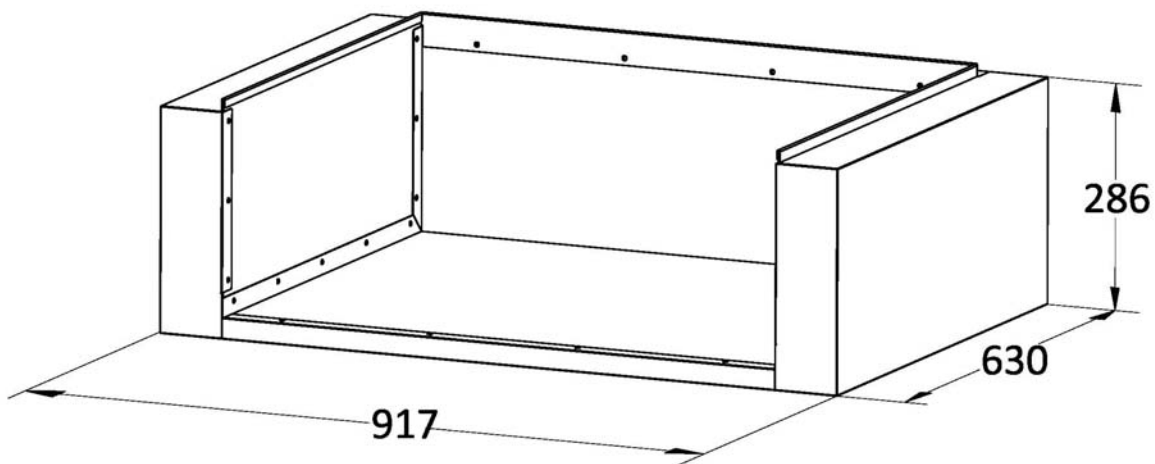
www.grandfirebbqs.com.au

Model: GF-IJ38



Insulation Jacket/Zero
Clearance Box for Classic38 Grill

Model: GFD-IJ30

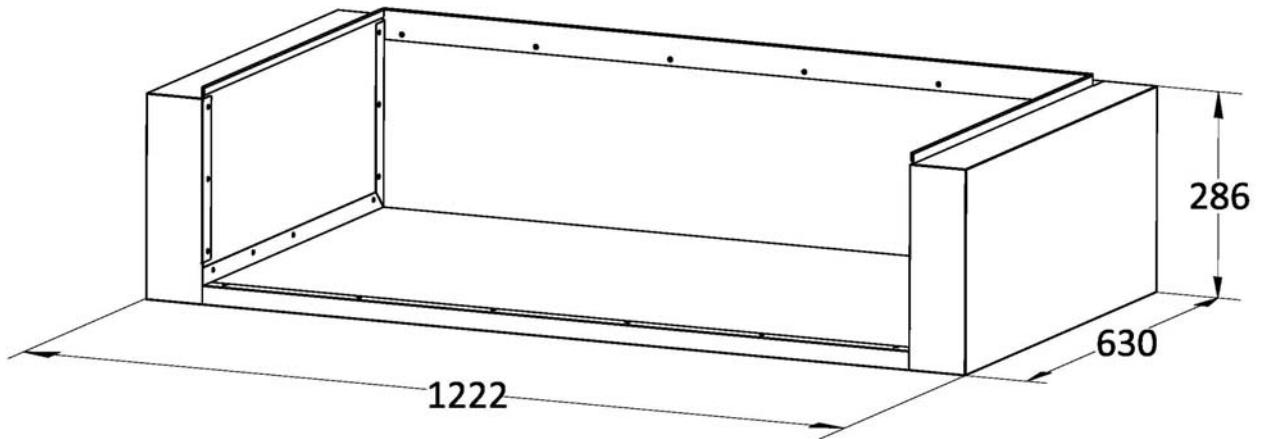


Insulation Jacket/Zero Clearance
Box for Deluxe 30 Grill



www.grandfirebbqs.com.au

Model: GFD-IJ42



Insulation Jacket/Zero Clearance
Box for Deluxe 42 Grill