

# / GrandFire / Specifications - Built-In Series

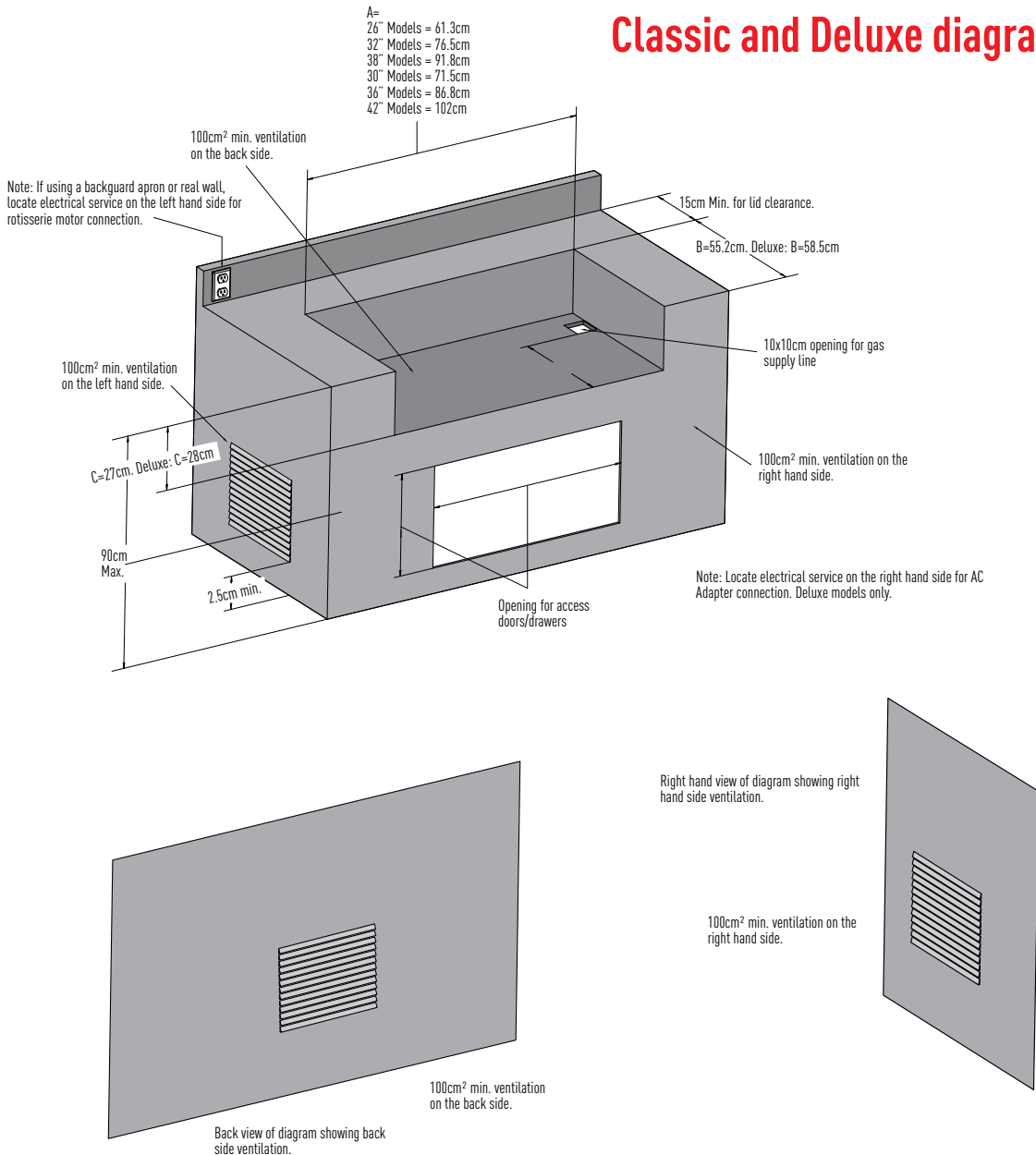
## Built-in model - recommended cut-out dimensions

	Model	Length (mm)	Height (mm)	Width (mm)
GrandFire Classic 26"	GF26	613	250	552
GrandFire Classic 32"	GF32LB	765	250	552
GrandFire Classic 38"	GF38LB	918	50	552
GrandFire Deluxe 30"	GFD30LB	715	265	585
GrandFire Deluxe 42"	GFD42LBS	1020	265	585

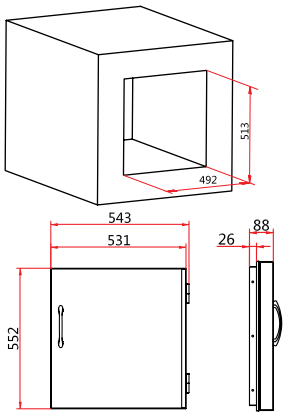
\* The built-in island construction material should be all non-combustible material. It cannot have any ventilation holes except for the hole required for the gas supply in the cut-out base.

Specifications

### Classic and Deluxe diagram



# Additions / GrandFire /



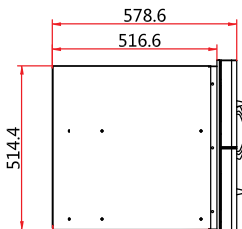
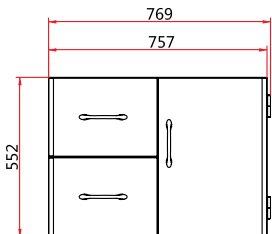
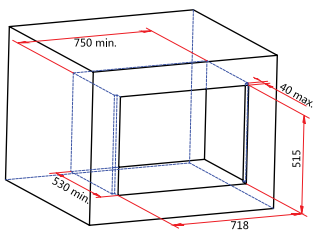
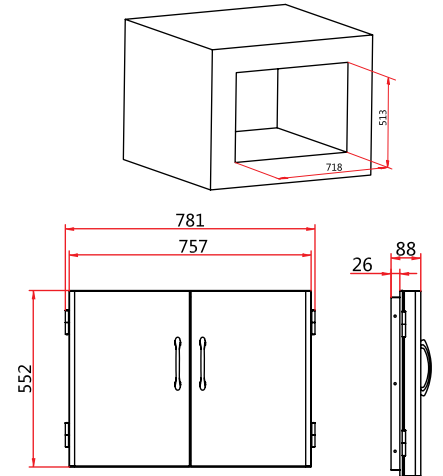
## Stainless Steel Single Vertical Door

Model: GFK2101, cut dimensions: 492W x 513H x 530D mm

## Stainless Steel Double Doors

Model: GFK3001, cut dimensions: 718W x 513H x 530D mm

For added convenience, GrandFire offers Built-in Access Doors that fit perfectly under your built-in grills. Double doors will allow for entry into an island for the propane tank, gas lines, or whatever else you'd like to store inside your island.



## Stainless Steel Door / Drawers

Model: GFK3002, cut dimensions: 718W x 515H x 530D mm

For added convenience, GrandFire offers Built-in SS Doors & Drawers Combo that fit perfectly under your built-in grills. This combination of a single access door and a dual drawer, adds a space saving design feature to any island.